

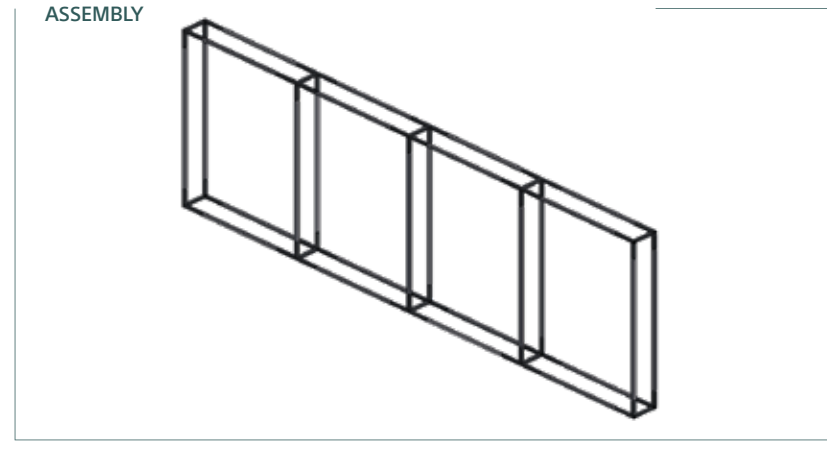
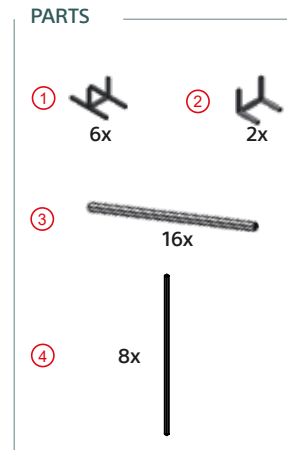
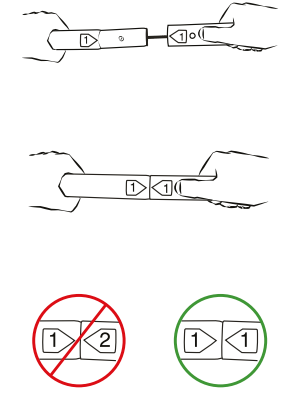
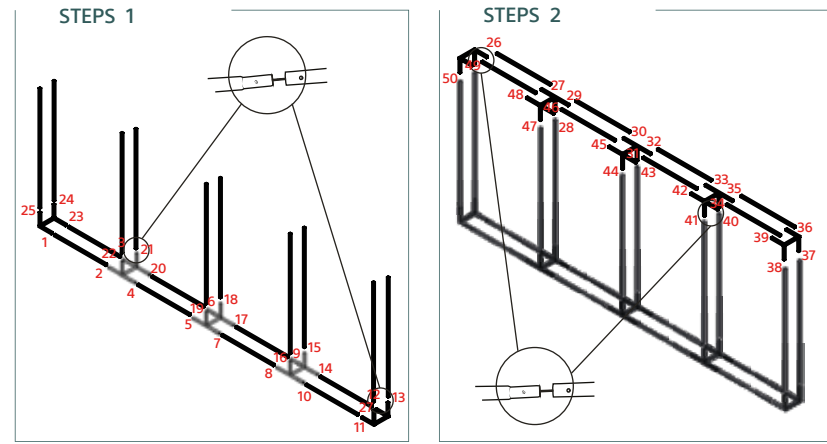
Booth Installation Instruction

TWIN PILLARS BOOTH
SKU:EXBOCM-300X600-R

EZEXPO
sa.ezexpo.com

Backdrop Installation Instruction

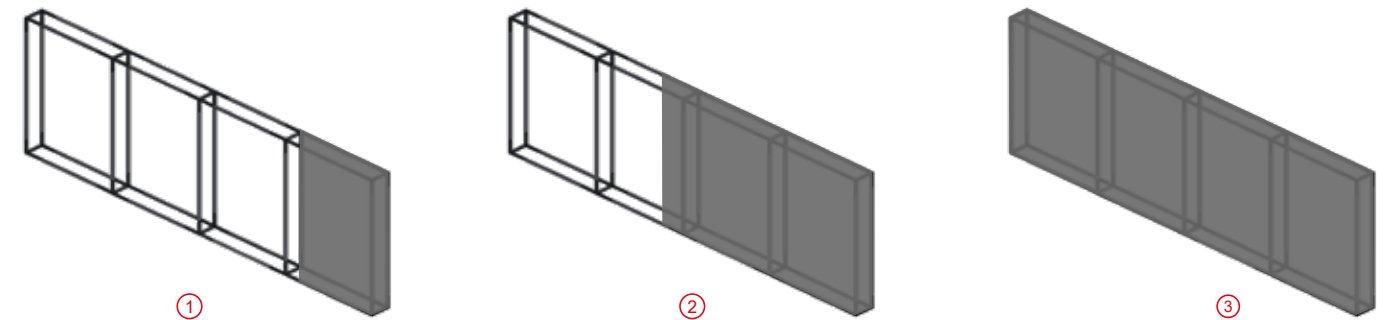
SKU:EXBOCM-300X600-R



2

Formulate Straight Fabric Display

Attaching Graphics



Contact Us :

3995 Uthman Ibn Affan Road Al Wahah,
Riyadh 12445 , Al Wahah square
Saudi Arabia

Phone or Whats-app : +966 -112425646

sa.ezexpo.com

Twin Pillars booth | SKU:EXBOCM-300X600-R

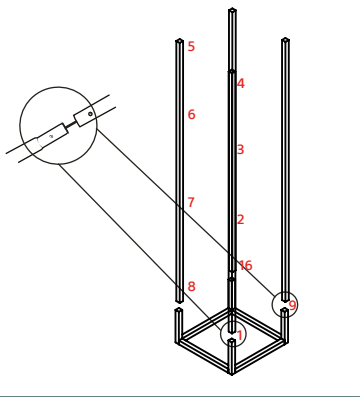
3

EZEXPO

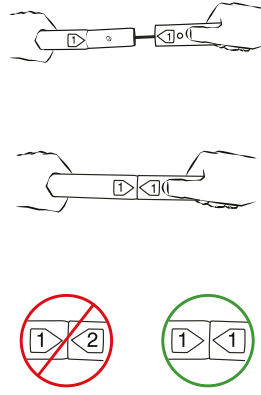
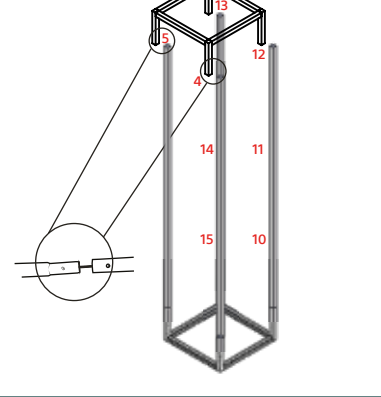
EZEXPO

Backdrop Installation Instruction
SKU:EXBOCM-300X600-R

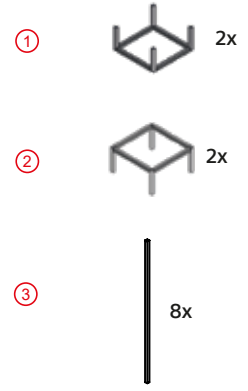
STEPS 1



STEPS 2



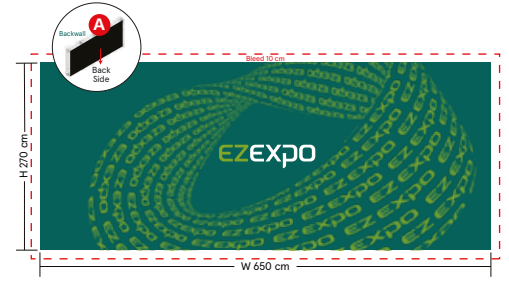
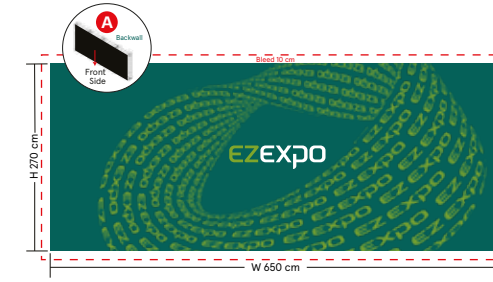
PARTS



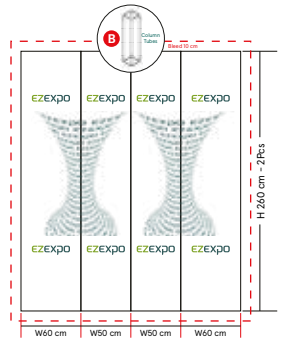
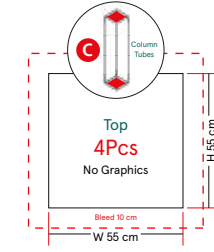
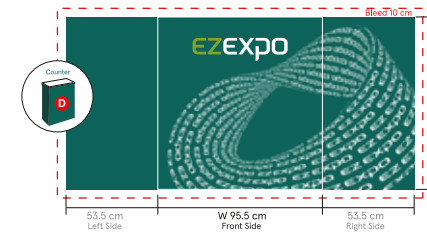
ASSEMBLY



Graphics & printing Installation

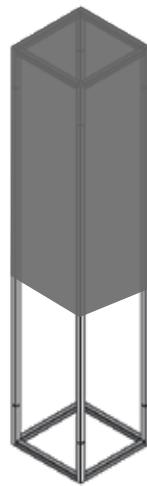


- Notes :**
- Please Use CMYK Mode For best Color Matching Check all scans are CMYK (not RGB)
 - 70 - 100 dpi at the overall graphic layout size.
 - Be aware of Safe Visible Area and keep important images and text inside this line.
 - Convert all text to outlines before saving finished artwork file
 - File Formats must be in: Photoshop (.psd) Illustrator (.ai) - Acrobat (.pdf) - Other (.tif, .eps)
 - Counter:
 - The graphic wrap is attached to the frame with a combination of the special one piece panel strip and magnetic tape.



Twin Pillars booth | SKU:EXBOCM-300X600-R

Formulate Straight Fabric Display
Attaching Graphics



TWIN PILLARS BOOTH
SKU:EXBOCM-300X600-R



Twin Pillars booth | SKU:EXBOCM-300X600-R