

Dangler Installation Instruction

TRIANGLE SHAPE DANGLER
SKU:SGDGTR-200X100X200-R

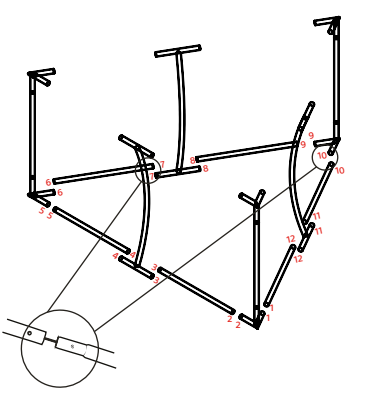
EZEXPO
sa.ezexpo.com

Dangler Installation Instruction

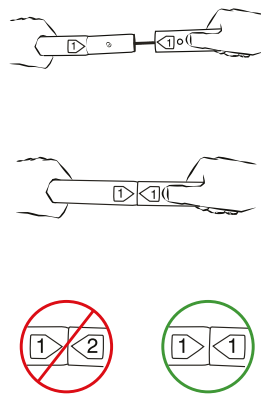
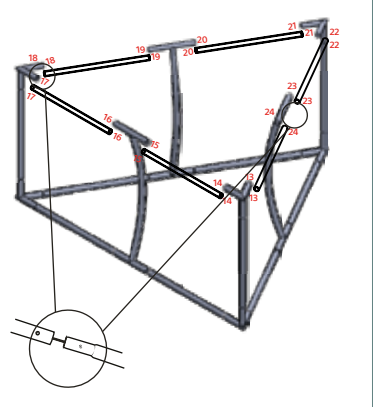
SKU:SGDGTR-200X100X200-R



STEPS 1



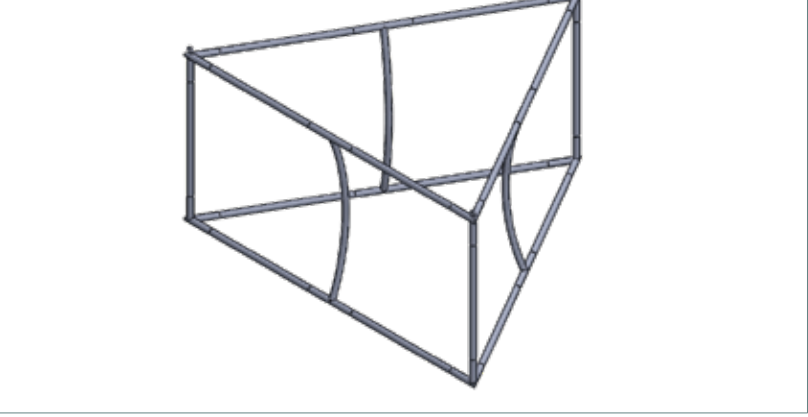
STEPS 2



PARTS

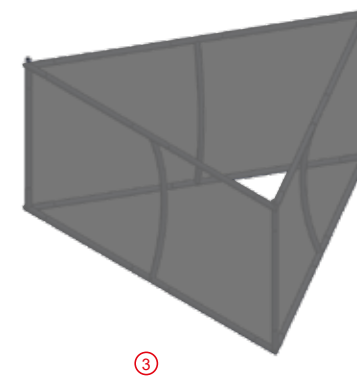
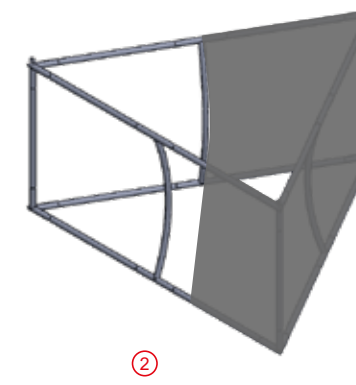
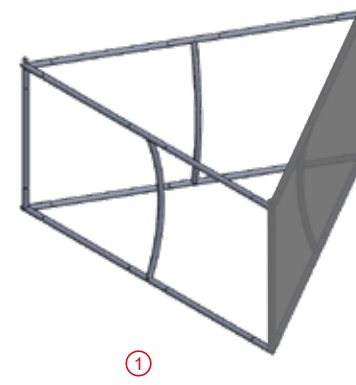


ASSEMBLY



Formulate Straight Fabric Display

Attaching Graphics



Triangle shape Dangler | SKU:SGDGTR-200X100X200-R

2

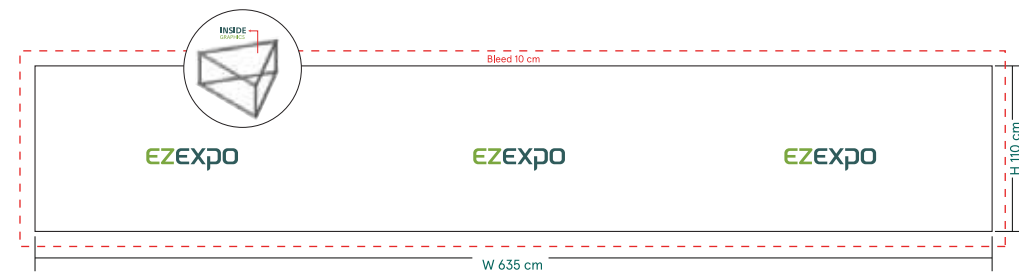
Graphics & printing Installation



Perspective



Out Side Graphics



Inside Graphics

Notes :

- Please Use CMYK Mode For best Color Maching. Check all scans are CMYK (not RGB)
- 70 - 100 dpi at the overall graphic layout size.
- Be aware of Safe Visible Area and keep important images and text inside this line.
- Convert all text to outlines before saving finished artwork file
- File Formats must be in: Photoshop (.psd) Illustrator (.ai) - Acrobat (.pdf) - Other (.tif, .eps)
- Counter:
 - The graphic wrap is attached to the frame with a combination of the special one piece panel strip and magnetic tape.

Triangle shape Dangler | SKU:SGDGTR-200X100X200-R

3

TRIANGLE SHAPE DANGLER

SKU:SGDGTR-200X100X200-R

