

Booth Installation Instruction

TIME MACHINE BOOTH
SKU:EXBOAD-600X600-R

EZEXPO
sa.ezexpo.com

Contact Us :

3995 Uthman Ibn Affan Road Al Wahah,
Riyadh 12445 , Al Wahah square
Saudi Arabia

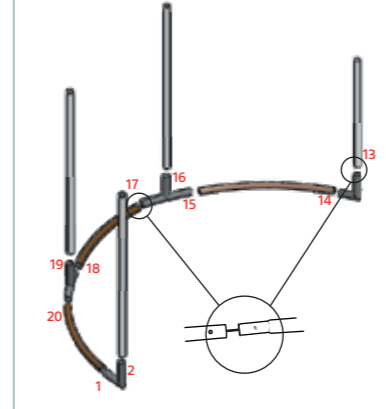
Phone or Whats-app : +966 -112425646

Backdrop Installation Instruction

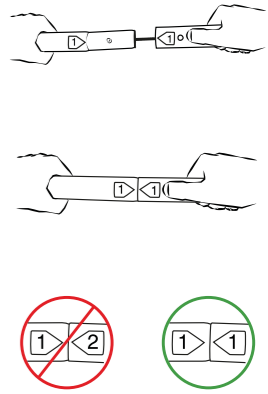
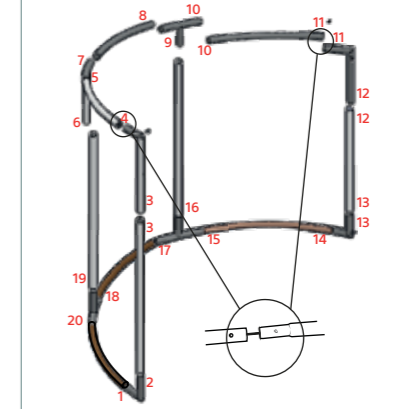
SKU:EXBOAD-600X600-R



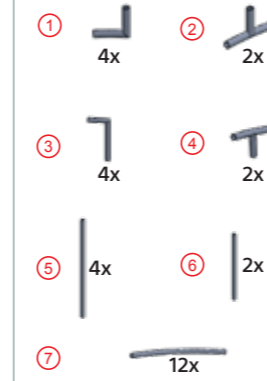
STEPS 1



STEPS 2



PARTS



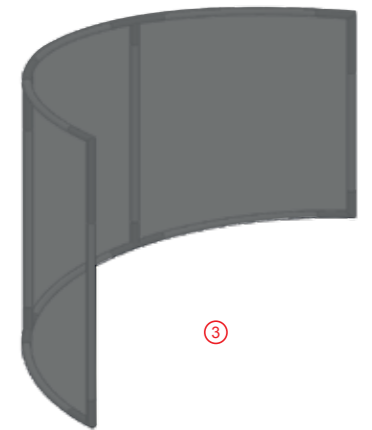
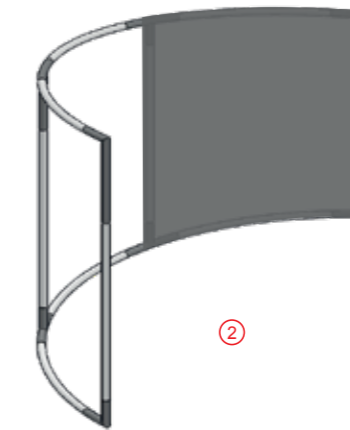
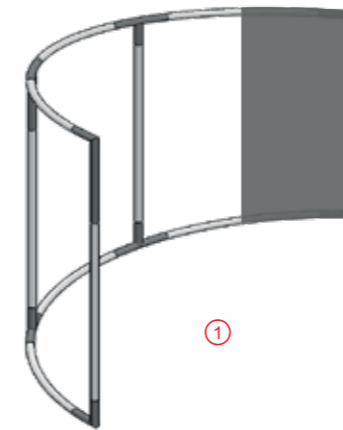
ASSEMBLY



2

Formulate Straight Fabric Display

Attaching Graphics



sa.ezexpo.com

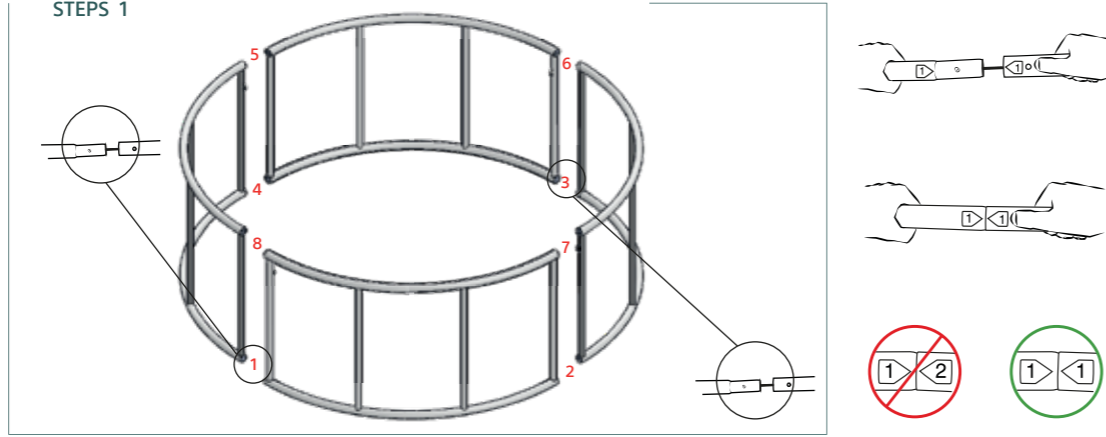
Time Machine booth | SKU:EXBOAD-600X600-R

3

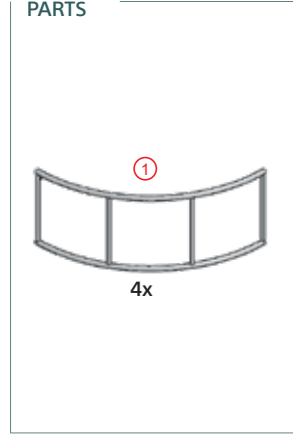
Dangler Installation Instruction
SKU:EXBOAD-600X600-R



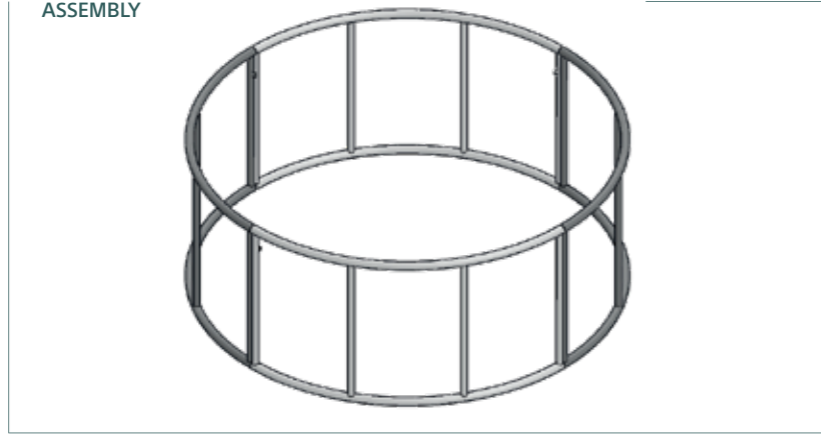
STEPS 1



PARTS

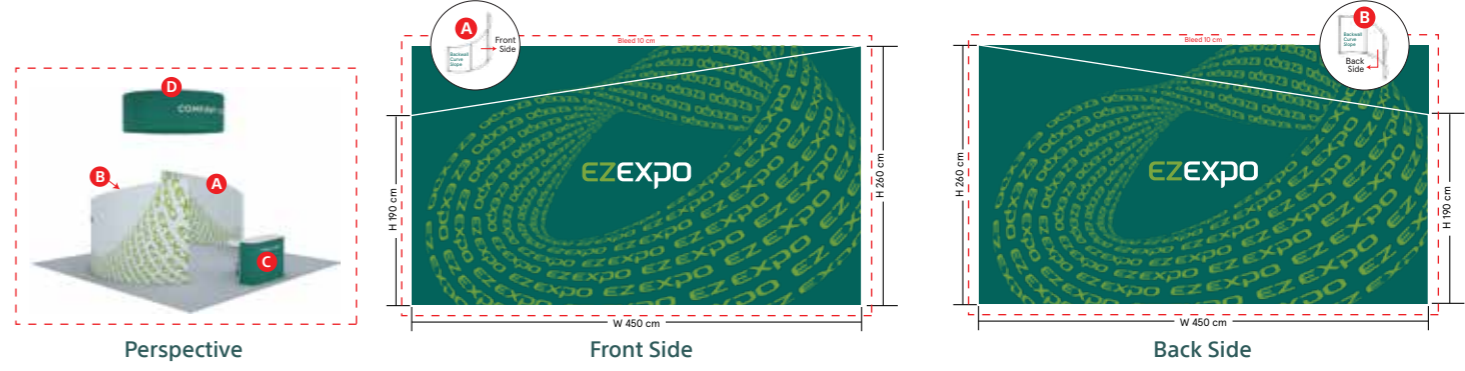


ASSEMBLY



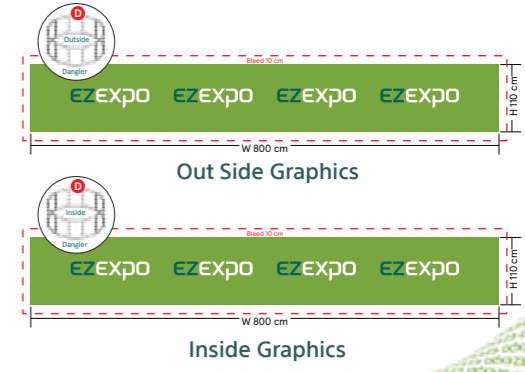
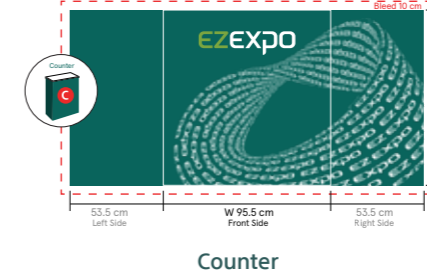
4

Graphics & printing Installation



Notes :

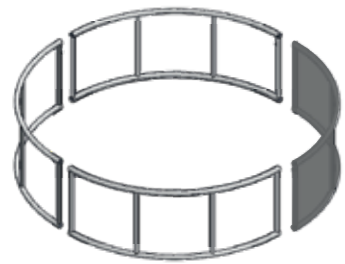
- Please Use CMYK Mode For best Color Matching. Check all scans are CMYK (not RGB)
- 70 - 100 dpi at the overall graphic layout size.
- Be aware of Safe Visible Area and keep important images and text inside this line.
- Convert all text to outlines before saving finished artwork file
- File Formats must be in: Photoshop (.psd) Illustrator (.ai) - Acrobat (.pdf) - Other (.tif, .eps)
- Counter:
 - The graphic wrap is attached to the frame with a combination of the special one piece panel strip and magnetic tape.



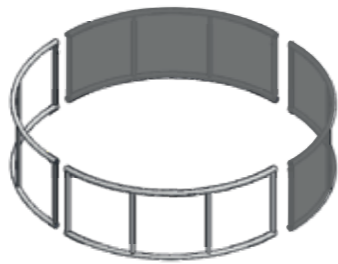
Time Machine booth | SKU:EXBOAD-600X600-R

6

Formulate Straight Fabric Display
Attaching Graphics



①



②



③

TIME MACHINE BOOTH
SKU:EXBOAD-600X600-R



Time Machine booth | SKU:EXBOAD-600X600-R

5

7