

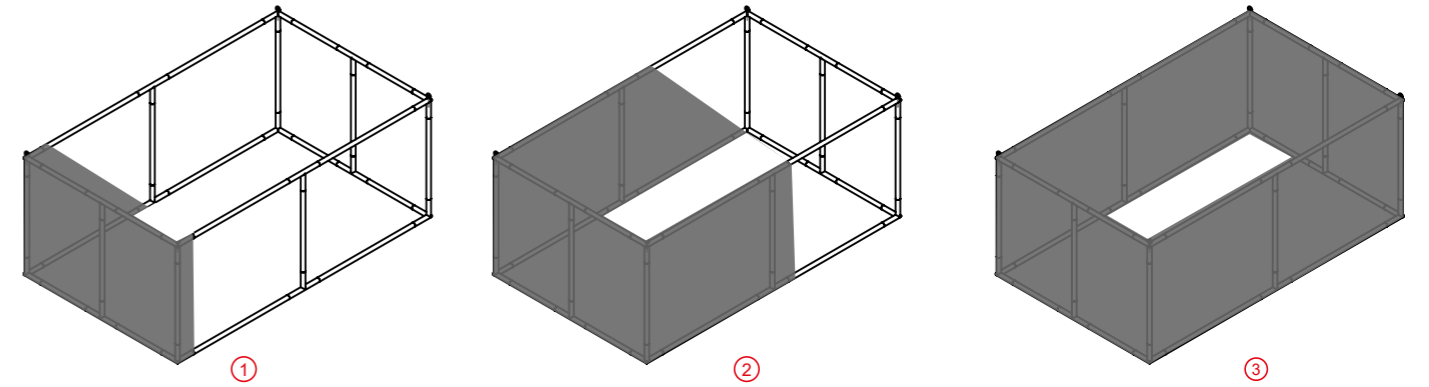
Dangler Installation Instruction

SQUARE SHAPE DANGLER
SKU:SGDGSQ-100X150X250-R

EZEXPO
sa.ezexpo.com

Formulate Straight Fabric Display

Attaching Graphics



Square Shape Dangler | SKU:SGDGSQ-100X150X250-R

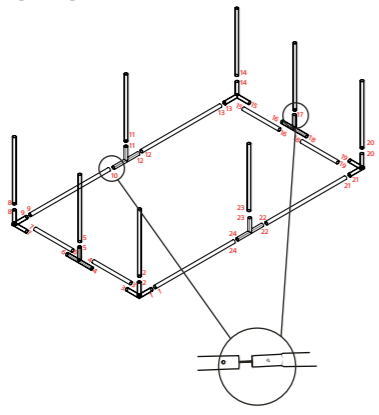
2

Dangler Installation Instruction

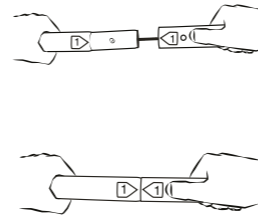
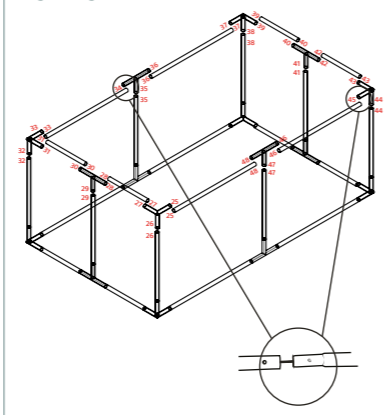
SKU:SGDGSQ-100X150X250-R



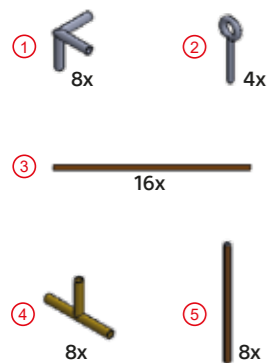
STEPS 1



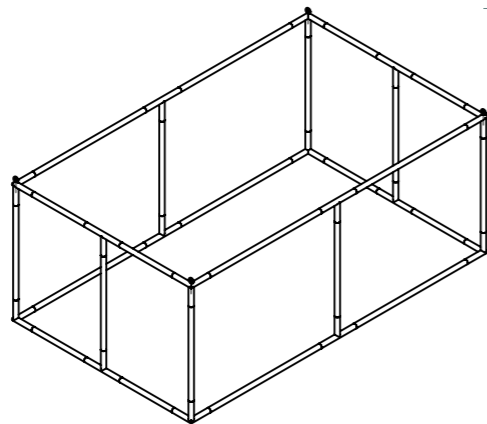
STEPS 2



PARTS



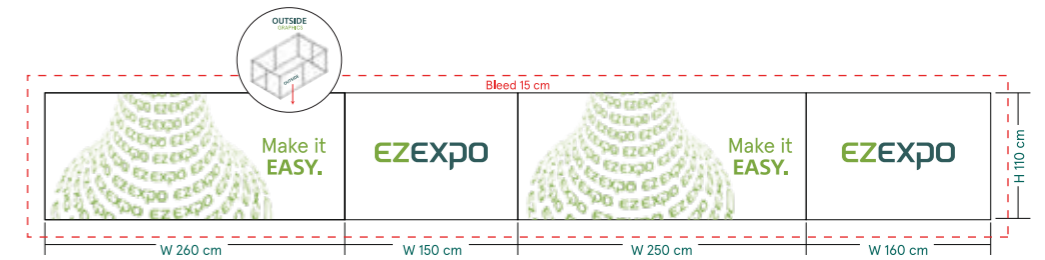
ASSEMBLY



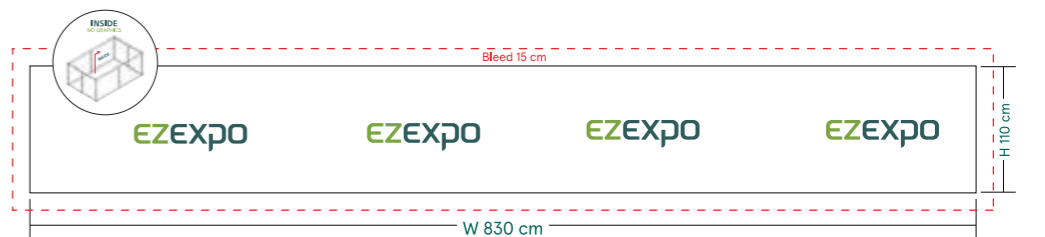
Graphics & printing Installation



Perspective



Out Side Graphics



Inside Graphics

Notes :

- Please Use CMYK Mode For best Color Matching. Check all scans are CMYK (not RGB)
- 70 - 100 dpi at the overall graphic layout size.
- Be aware of Safe Visible Area and keep important images and text inside this line.
- Convert all text to outlines before saving finished artwork file
- File Formats must be in: Photoshop (.psd) Illustrator (.ai) - Acrobat (.pdf) - Other (.tif, .eps)
- Counter:
 - The graphic wrap is attached to the frame with a combination of the special one piece panel strip and magnetic tape.

Square Shape Dangler | SKU:SGDGSQ-100X150X250-R

3

SQUARE SHAPE DANGLER

SKU:SGDGSQ-100X150X250-R



EZEXPO