

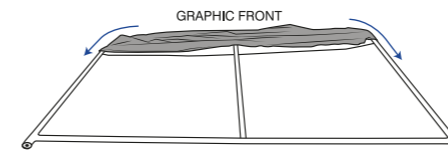
Booth Installation Instruction

SKYLINE GATE BOOTH
SKU:EVEXSD-300X300-R

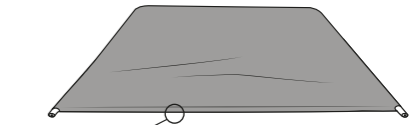
EZEXPO
sa.ezexpo.com

Formulate Straight Fabric Display

Attaching Graphics

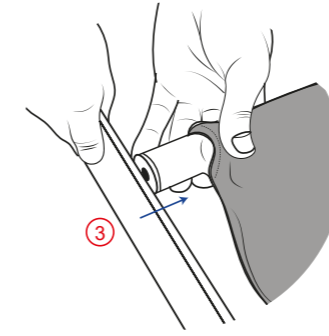


①

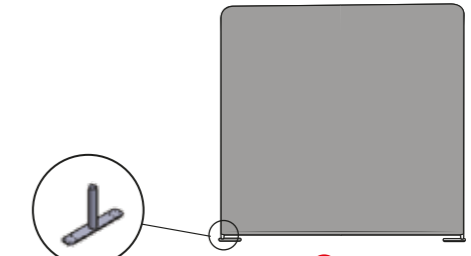


②

Zipper



③



④

Feet

Skyline Gate booth

SKU:EVEXSD-300X300-R

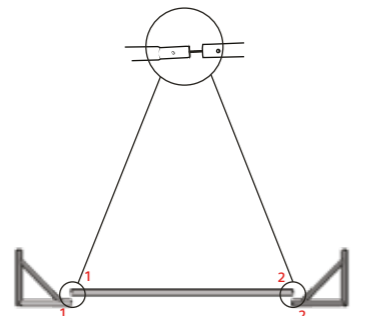
2

Backdrop Installation Instruction

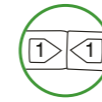
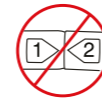
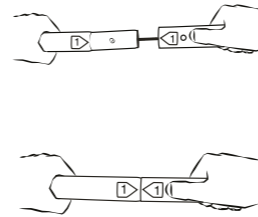
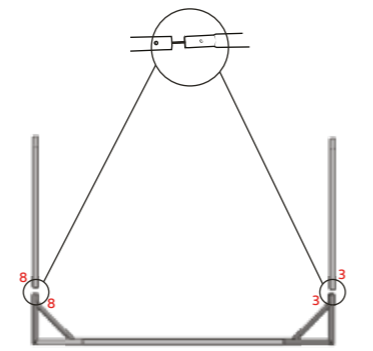
SKU:EVEXSD - 300-X-300R



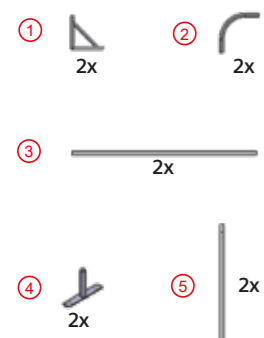
STEPS 1



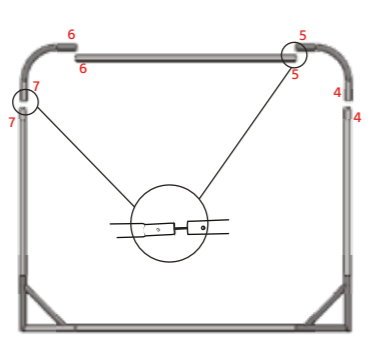
STEPS 2



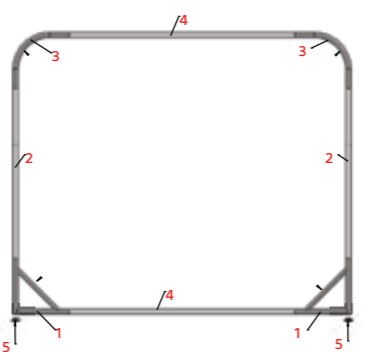
PARTS



STEPS 3



ASSEMBLY



EZEXPO

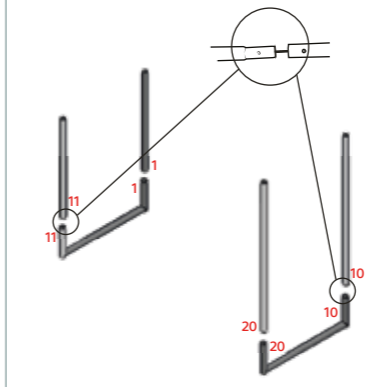
1

U Shape Installation Instruction

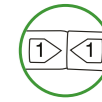
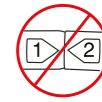
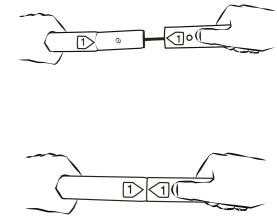
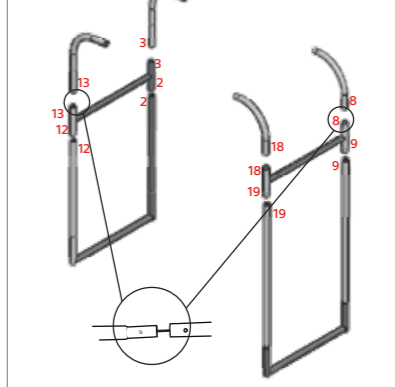
SKU:EVEXSD - 300-X-300R



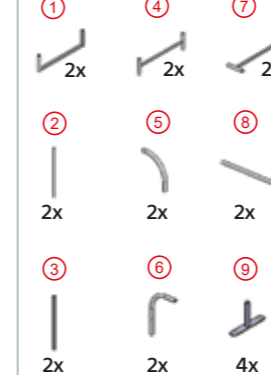
STEPS 1



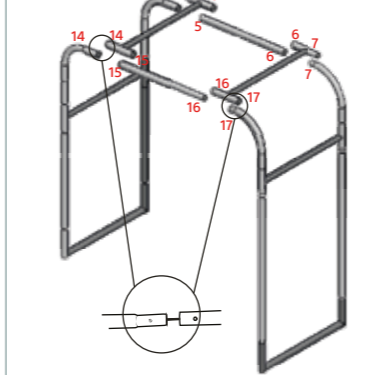
STEPS 2



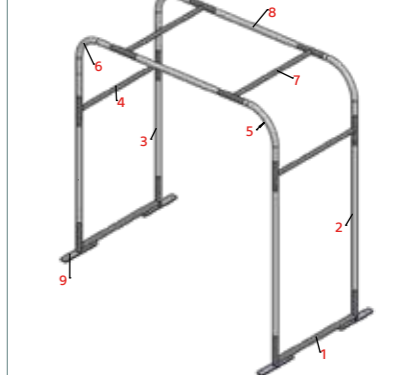
PARTS



STEPS 3



ASSEMBLY

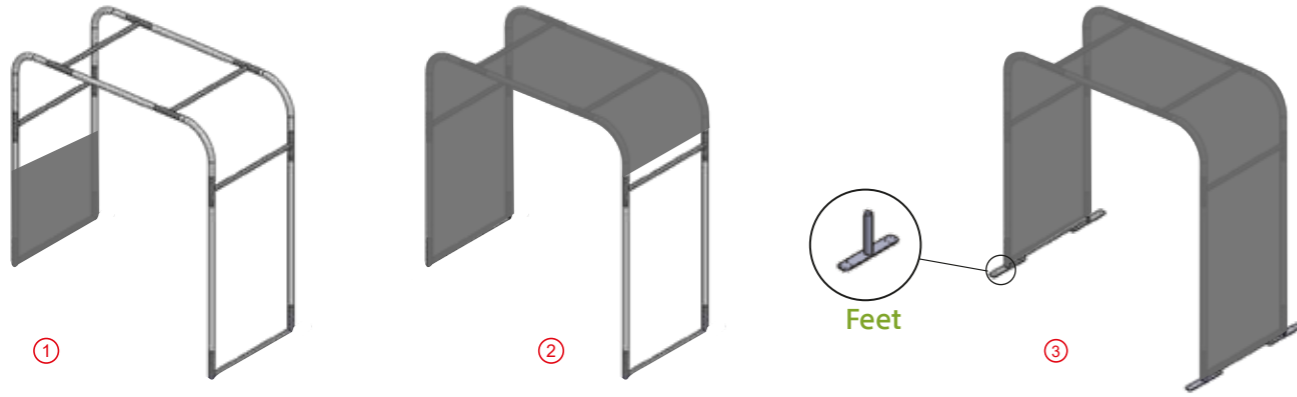


EZEXPO

3

Formulate Straight Fabric Display

Attaching Graphics



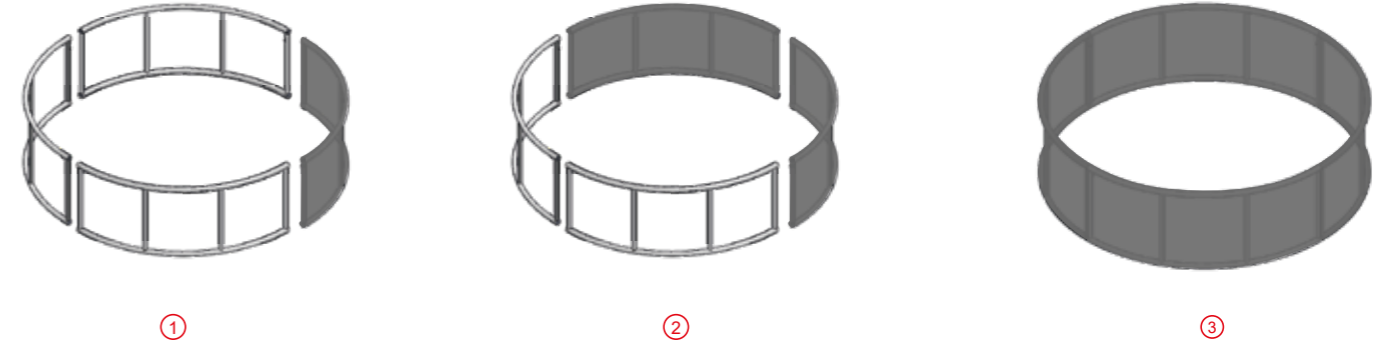
Skyline Gate booth

SKU:EVEXSD-300X300-R

4

Formulate Circle Hanging Structure

Attaching Graphics



Skyline Gate booth

SKU:EVEXSD-300X300-R

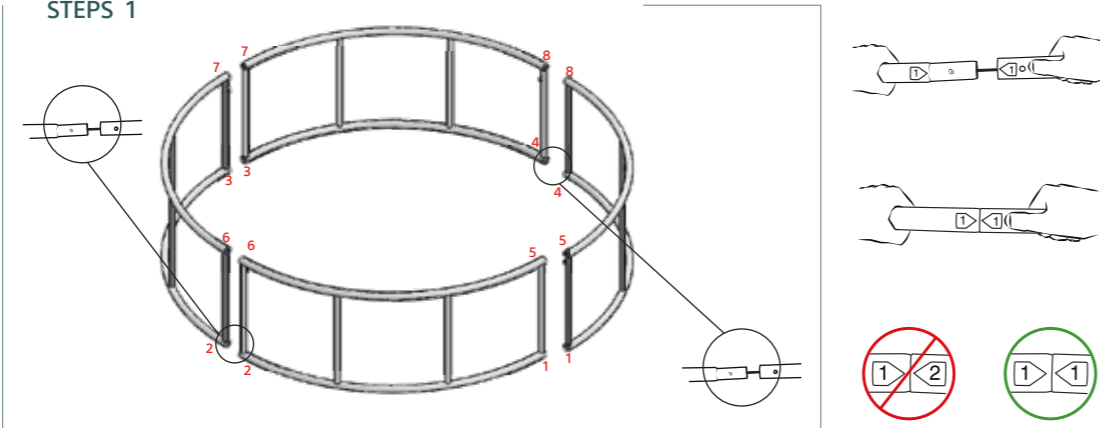
6

Dangler Installation Instruction

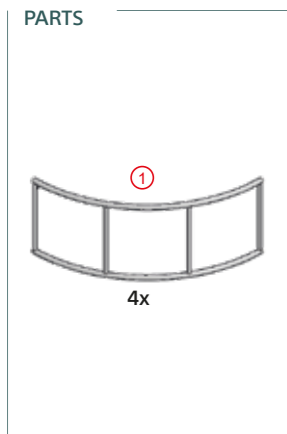
SKU:EVEXSD - 300-X-300R



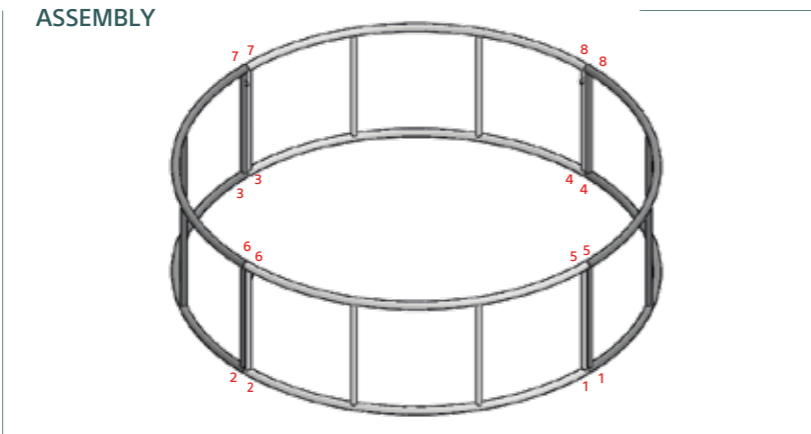
STEPS 1



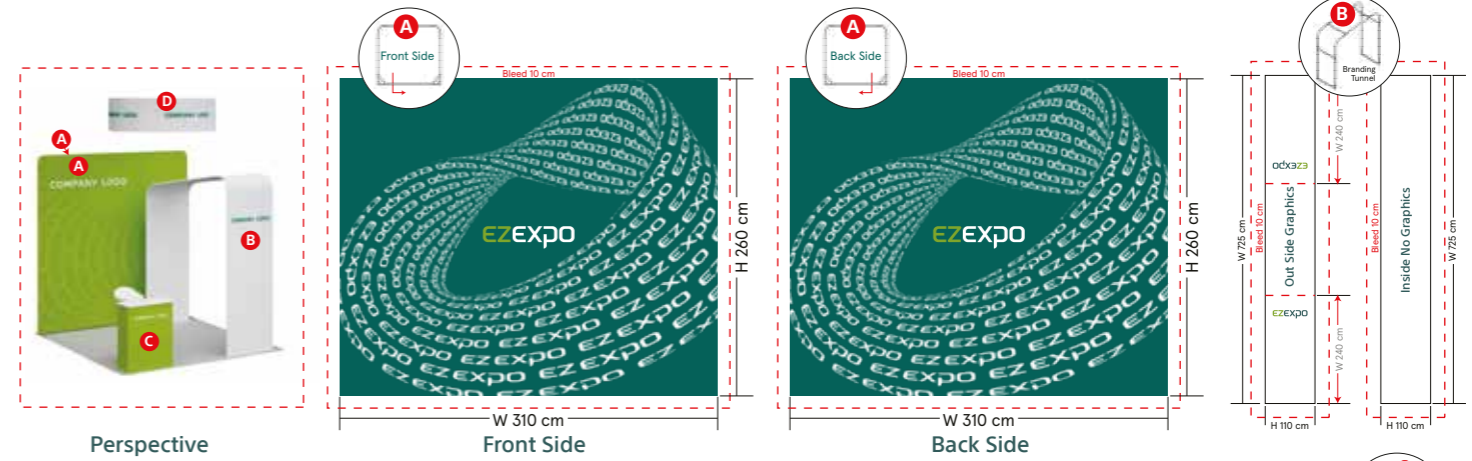
PARTS



ASSEMBLY



Graphics & printing Installation



Notes :

- Please Use CMYK Mode For best Color Matching. Check all scans are CMYK (not RGB)
- 70 - 100 dpi at the overall graphic layout size.
- Be aware of Safe Visible Area and keep important images and text inside this line.
- Convert all text to outlines before saving finished artwork file
- File Formats must be in: Photoshop (.psd) Illustrator (.ai) - Acrobat (.pdf) - Other (.tif, .eps)
- Counter:
 - The graphic wrap is attached to the frame with a combination of the special one piece panel strip and magnetic tape.

Skyline Gate booth

SKU:EVEXSD-300X300-R

7

5