

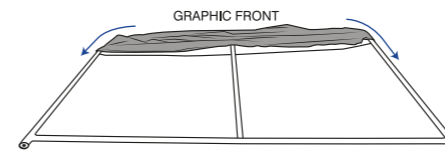
Booth Installation Instruction

STRAIGHT WALL
SKU:EVBDST-244X300-R

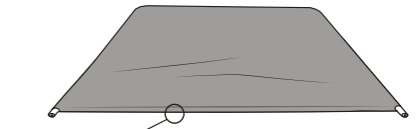
EZEXPO
sa.ezexpo.com

Formulate Straight Fabric Display

Attaching Graphics

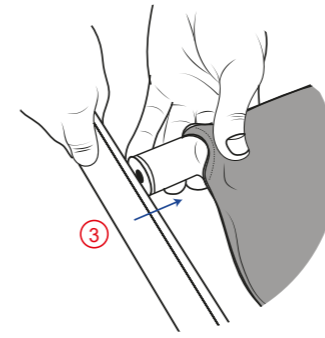


①

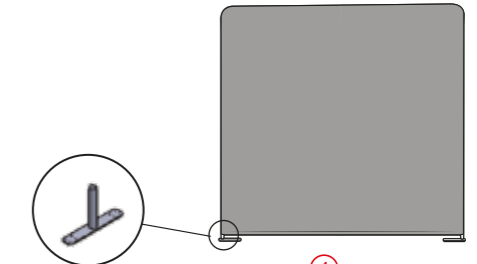


②

Zipper



③



④

Feet

STRAIGHT WALL

SKU:EVBDST-244X300-R

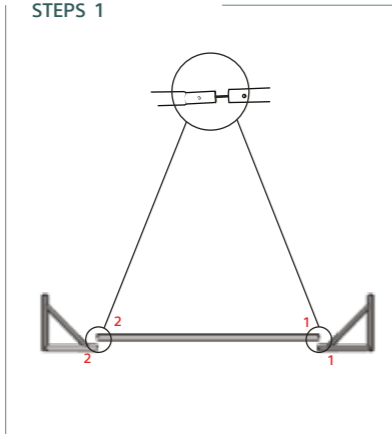
2

Backdrop Installation Instruction

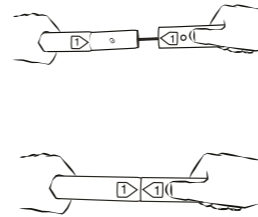
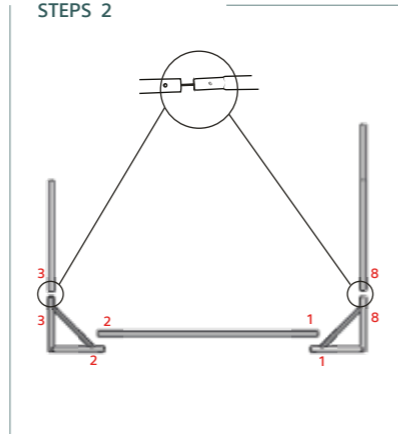
SKU:EVBDST-244X300-R



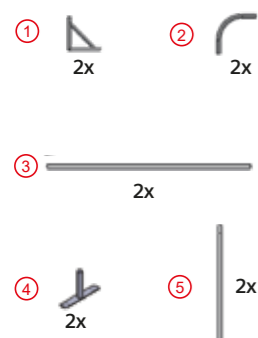
STEPS 1



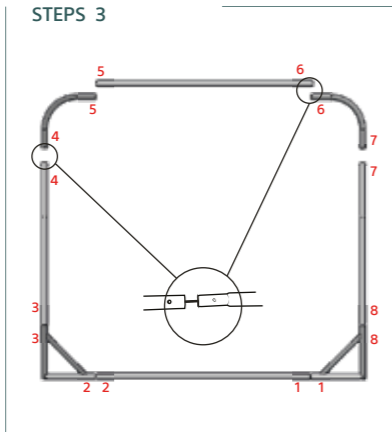
STEPS 2



PARTS



STEPS 3



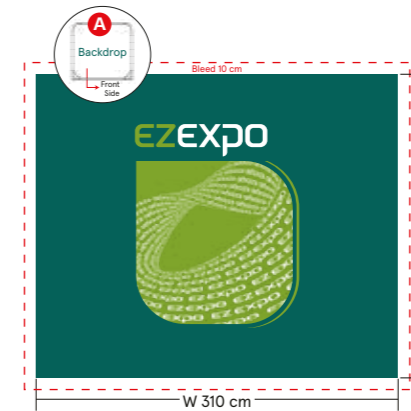
ASSEMBLY



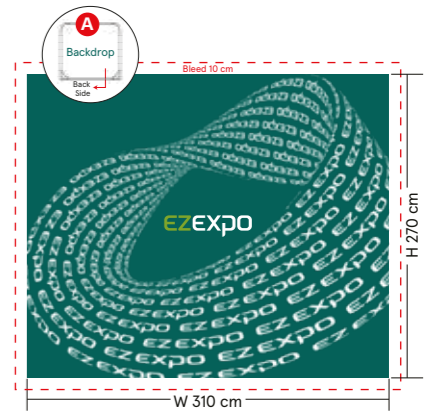
Graphics & printing Installation



Perspective



Front Side



Back Side

Notes :

- Please Use CMYK Mode For best Color Matching. Check all scans are CMYK (not RGB).
- 70 - 100 dpi at the overall graphic layout size.
- Be aware of Safe Visible Area and keep important images and text inside this line.
- Convert all text to outlines before saving finished artwork file.
- File Formats must be in: Photoshop (.psd) Illustrator (.ai) - Acrobat (.pdf) - Other (.tif, .eps)
- Counter:
 - The graphic wrap is attached to the frame with a combination of the special one piece panel strip and magnetic tape.

STRAIGHT WALL

SKU:EVBDST-244X300-R

3

STRAIGHT WALL

SKU:EVBDST-244X300-R



EZEXPO