

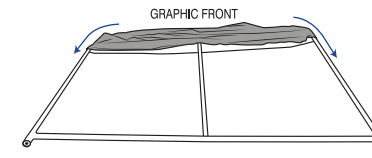
# Booth Installation Instruction

SLOPE WALL  
SKU:EVBD5W-250X300-R

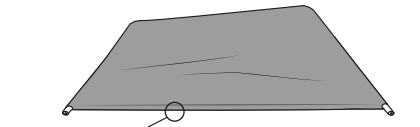
**EZEXPO**  
sa.ezexpo.com

## Formulate Straight Fabric Display

Attaching Graphics

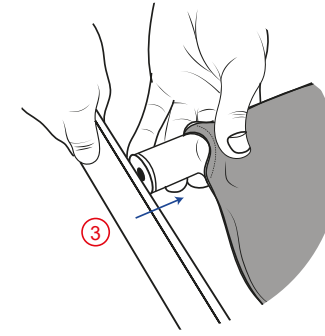


①

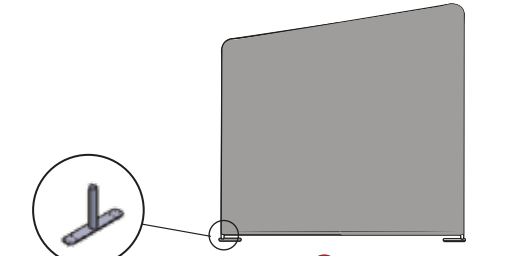


②

Zipper



③



④

Feet

SLOPE WALL | SKU:EVBD5W-250X300-R

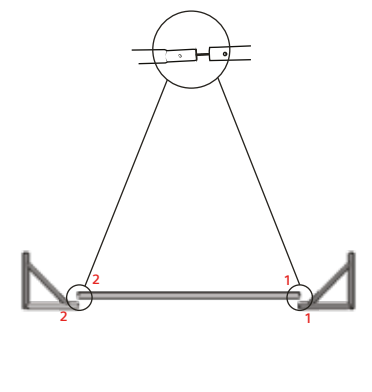
2

## Backdrop Installation Instruction

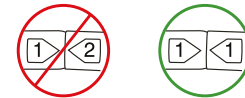
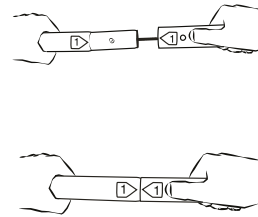
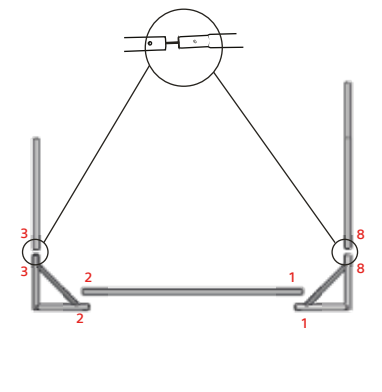
SKU:EVBD5W-250X300-R



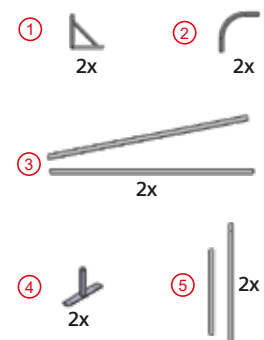
STEPS 1



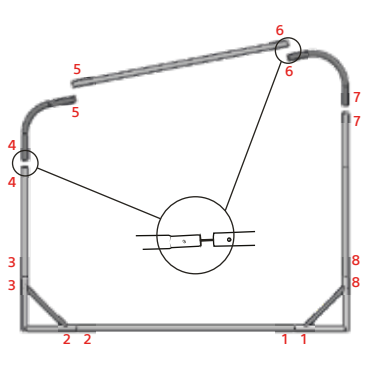
STEPS 2



PARTS



STEPS 3



ASSEMBLY



## Graphics & printing Installation



Perspective



Front Side



Back Side

### Notes :

- Please Use CMYK Mode For best Color Matching. Check all scans are CMYK (not RGB)
- 70 - 100 dpi at the overall graphic layout size.
- Be aware of Safe Visible Area and keep important images and text inside this line.
- Convert all text to outlines before saving finished artwork file
- File Formats must be in: Photoshop (.psd) Illustrator (.ai) - Acrobat (.pdf) - Other (.tif, .eps)
- Counter:
  - The graphic wrap is attached to the frame with a combination of the special one piece panel strip and magnetic tape.

SLOPE WALL | SKU:EVBD5W-250X300-R

3

# SLOPE WALL

SKU:EVBD5W-250X300-R



**EZEXPO**