

Booth Installation Instruction

MANHATTAN HIGH-RISES BOOTH
SKU:EXBOTW-300X300-R

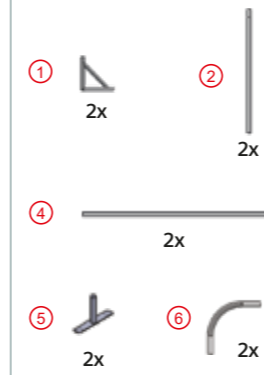
EZEXPO
sa.ezexpo.com

Backdrop Installation Instruction

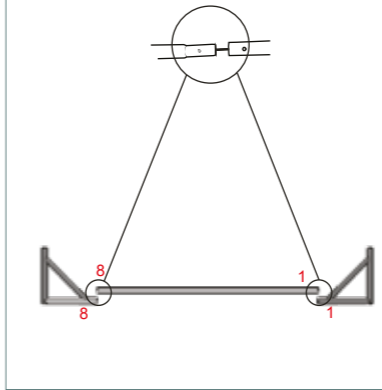
SKU:EXBOTW300-X-300R



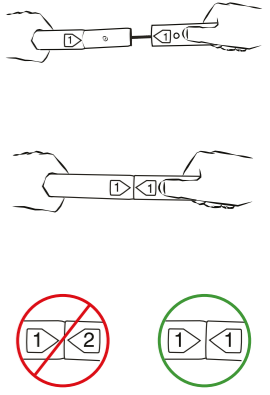
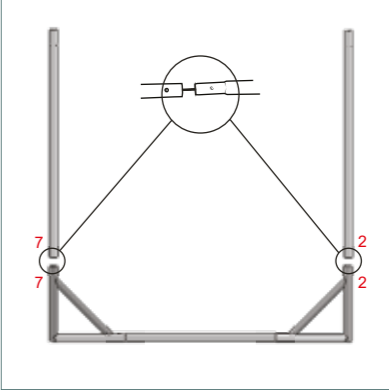
PARTS



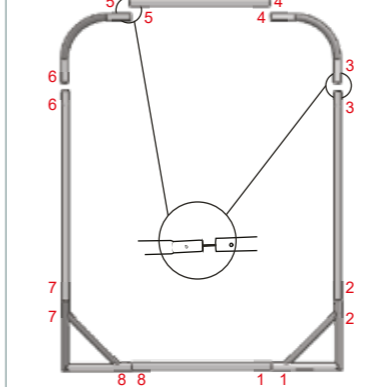
STEPS 1



STEPS 2



STEPS 3



ASSEMBLY

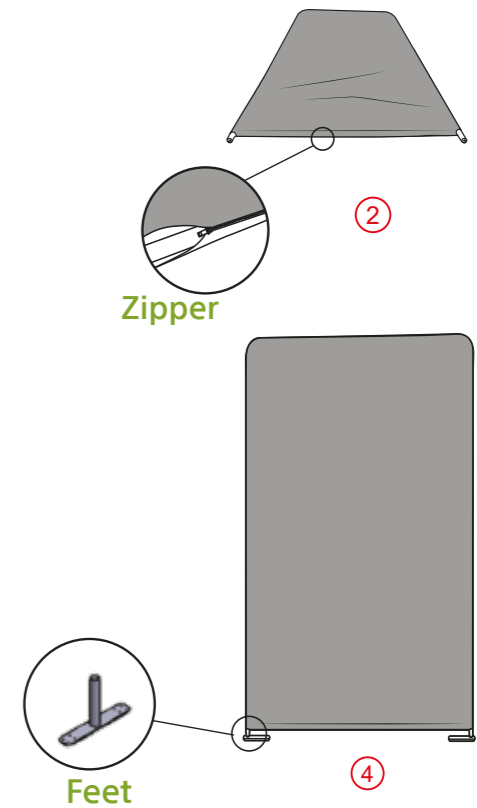
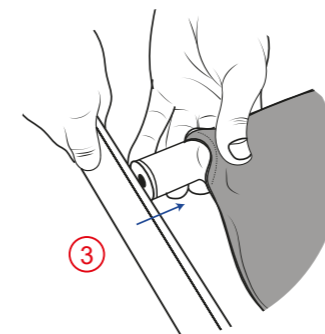
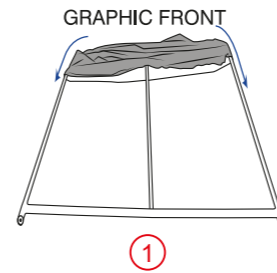


2

EZEXPO

Formulate Straight Fabric Display

Attaching Graphics



3

Contact Us :

3995 Uthman Ibn Affan Road Al Wahah,
Riyadh 12445 , Al Wahah square
Saudi Arabia

Phone or Whats-app : +966 -112425646

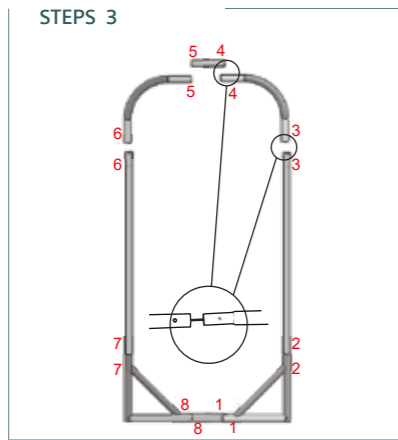
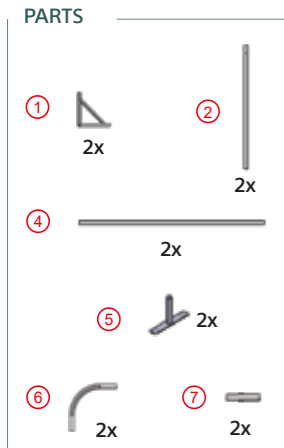
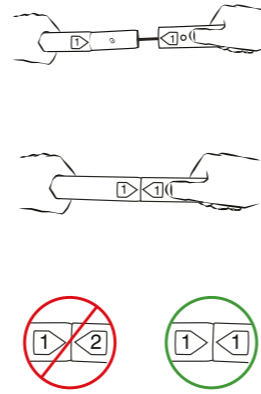
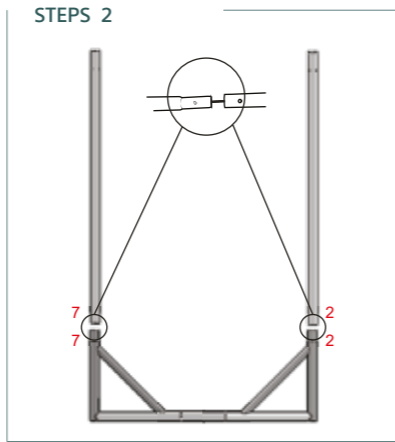
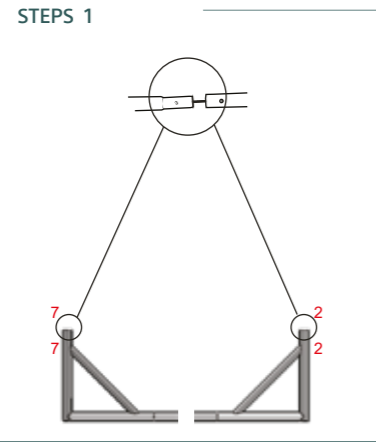
sa.ezexpo.com

MANHATTAN HIGH-RISES BOOTH | SKU:EXBOTW-300X300-R

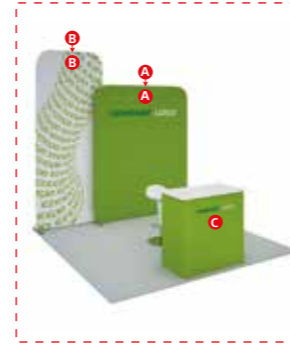
3

EZEXPO

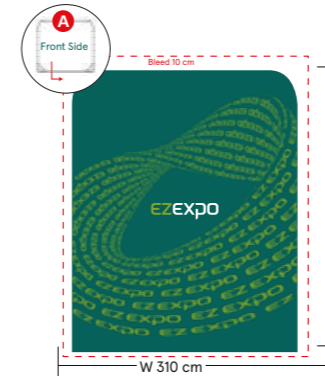
Backdrop Installation Instruction
SKU:EXBOTW300-X-300R



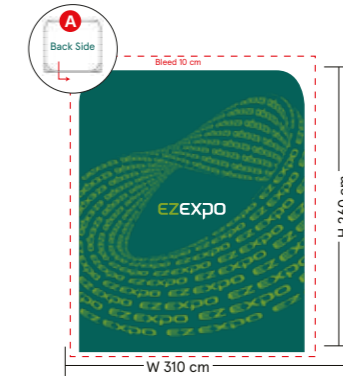
Graphics & printing Installation



Perspective



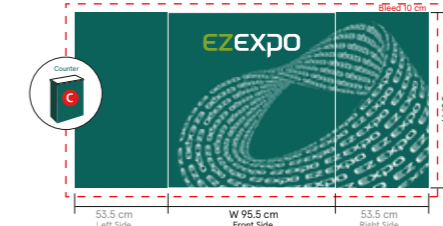
Front Side



Back Side



Front Side

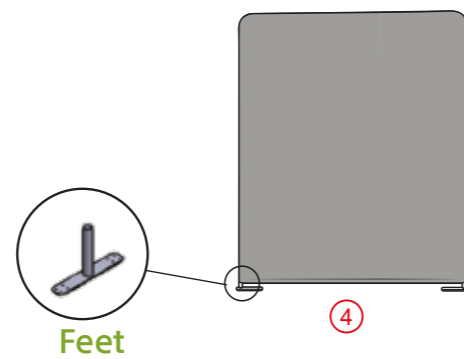
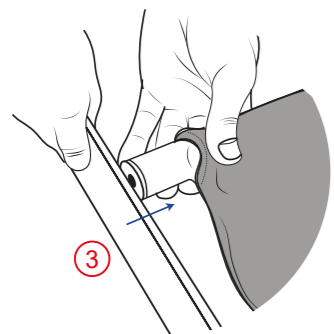
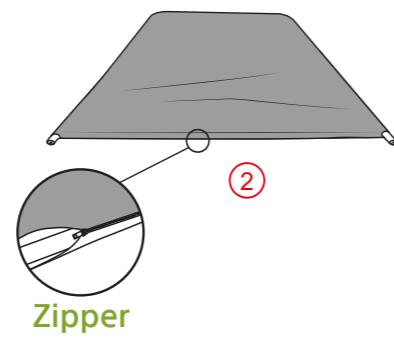
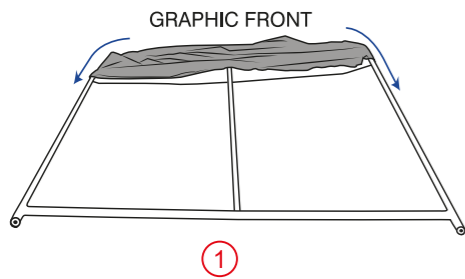


Counter

- Notes :**
- Please Use CMYK Mode For best Color Matching Check all scans are CMYK (not RGB)
 - 70 - 100 dpi at the overall graphic layout size.
 - Be aware of Safe Visible Area and keep important images and text inside this line.
 - Convert all text to outlines before saving finished artwork file
 - File Formats must be in: Photoshop (.psd) Illustrator (.ai) - Acrobat (.pdf) - Other (.tif, .eps)
 - Counter:
 - The graphic wrap is attached to the frame with a combination of the special one piece panel strip and magnetic tape.

MANHATTAN HIGH-RISES BOOTH | SKU:EXBOTW-300X300-R

Formulate Straight Fabric Display
Attaching Graphics



MANHATTAN HIGH-RISES BOOTH | SKU:EXBOTW-300X300-R

MANHATTAN HIGH-RISES BOOTH
SKU:EXBOTW-300X300-R

