

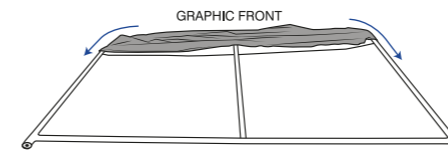
Booth Installation Instruction

GATE TOWERS BOOTH
SKU:EVEXDS-300X600

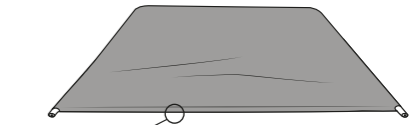
EZEXPO
sa.ezexpo.com

Formulate Straight Fabric Display

Attaching Graphics

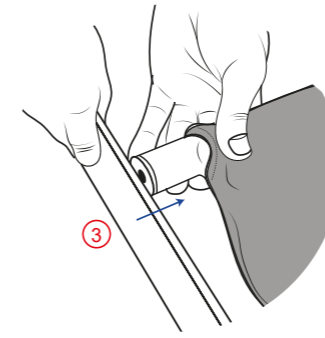


①

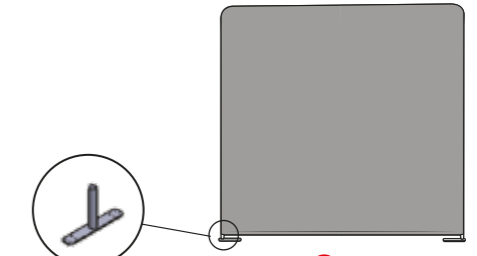


②

Zipper



③



④

Feet

GATE TOWERS BOOTH | SKU:EVEXDS-300X600

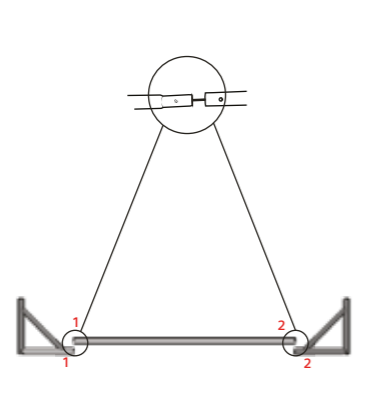
2

Backdrop Installation Instruction

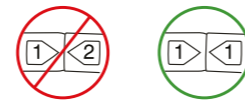
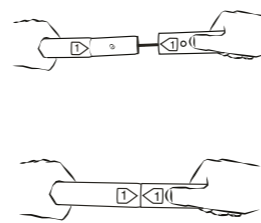
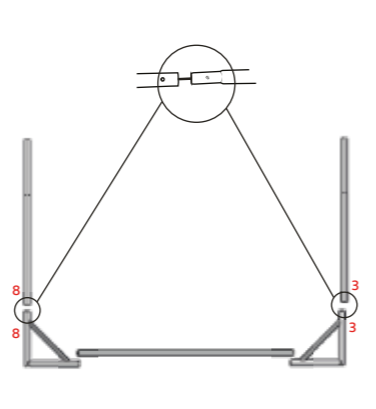
SKU:EVEXDS-300X600



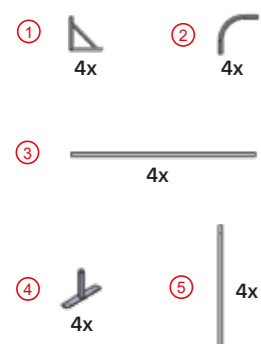
STEPS 1



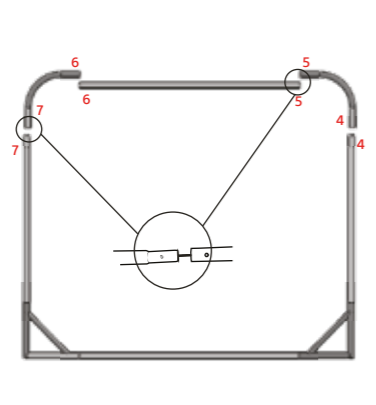
STEPS 2



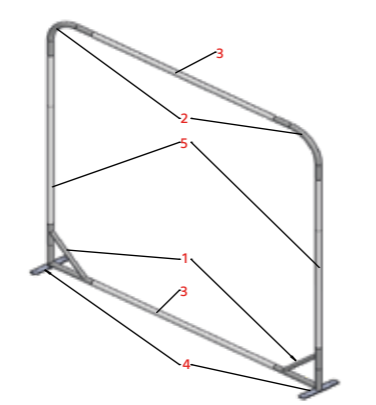
PARTS



STEPS 3



ASSEMBLY



EZEXPO

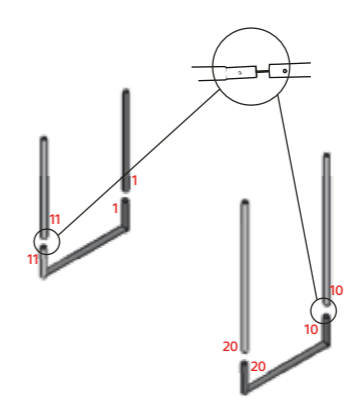
1

U Shape Installation Instruction

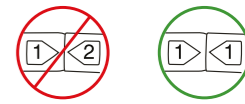
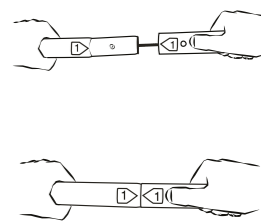
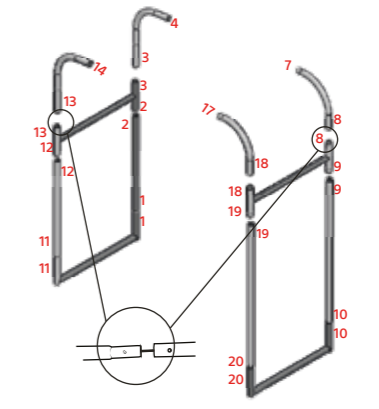
SKU:EVEXDS-300X600



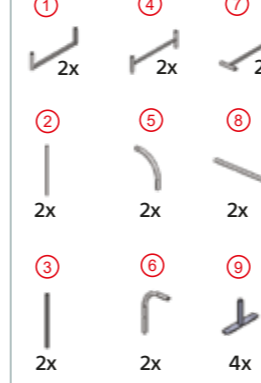
STEPS 1



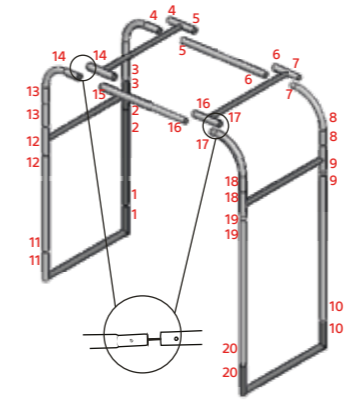
STEPS 2



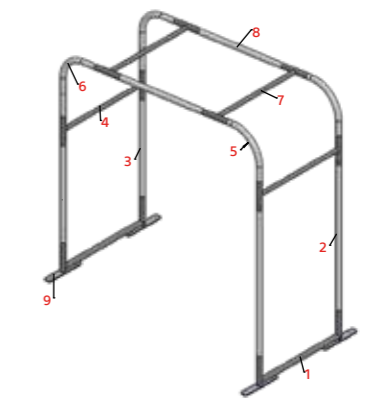
PARTS



STEPS 3



ASSEMBLY

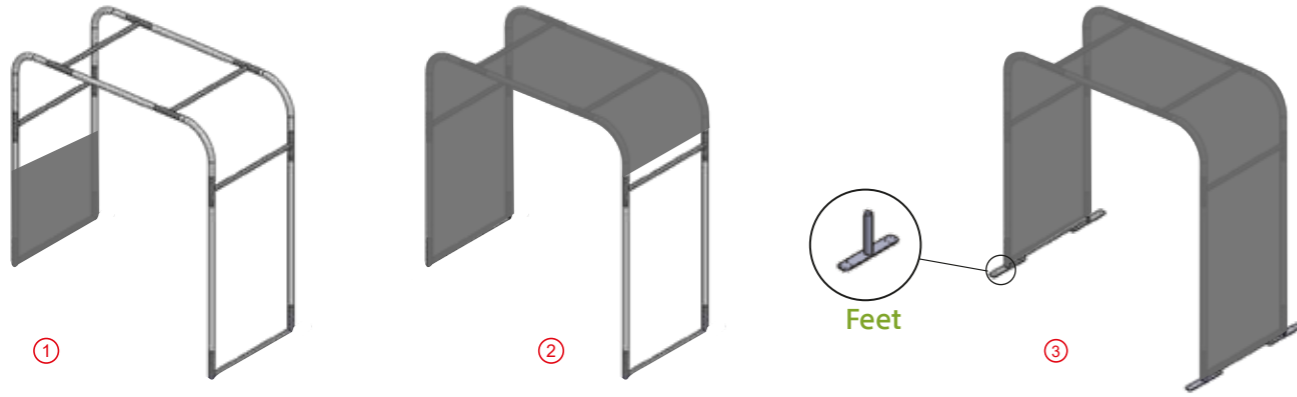


EZEXPO

3

Formulate Straight Fabric Display

Attaching Graphics

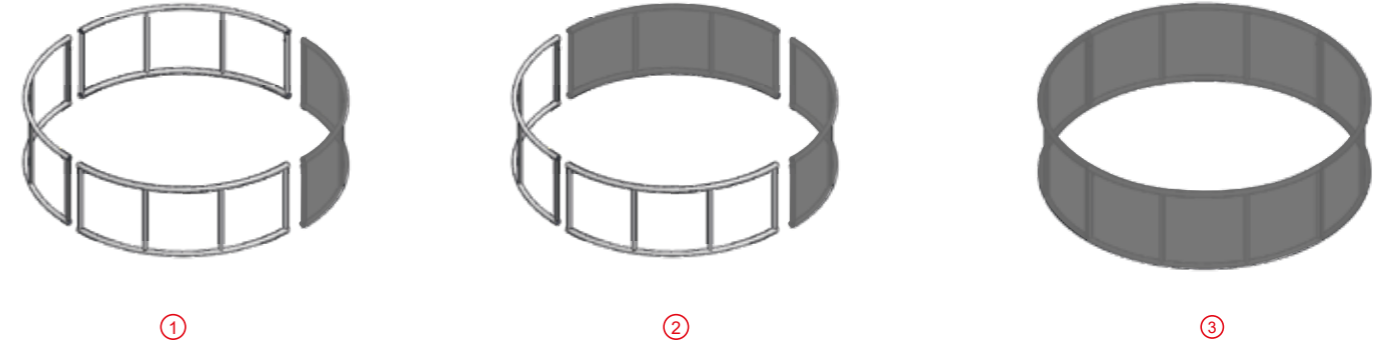


GATE TOWERS BOOTH | SKU:EVEXDS-300X600

4

Formulate Circle Hanging Structure

Attaching Graphics



GATE TOWERS BOOTH | SKU:EVEXDS-300X600

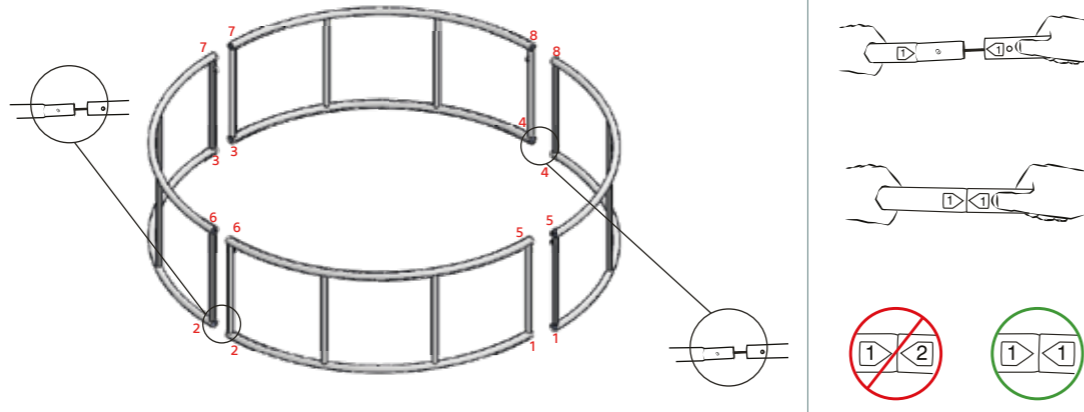
6

Dangler Installation Instruction

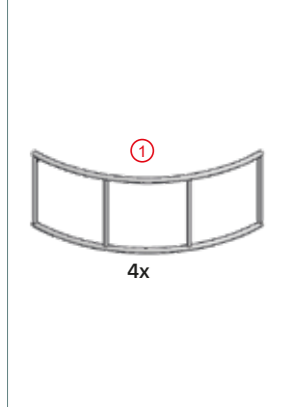
SKU:EVEXDS-300X600



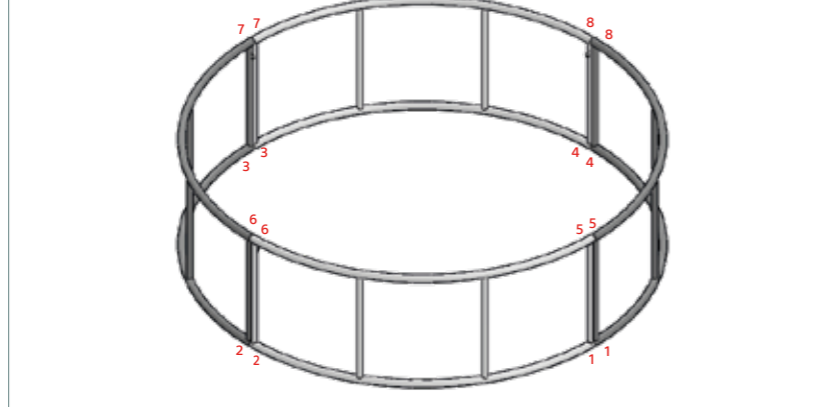
STEPS 1



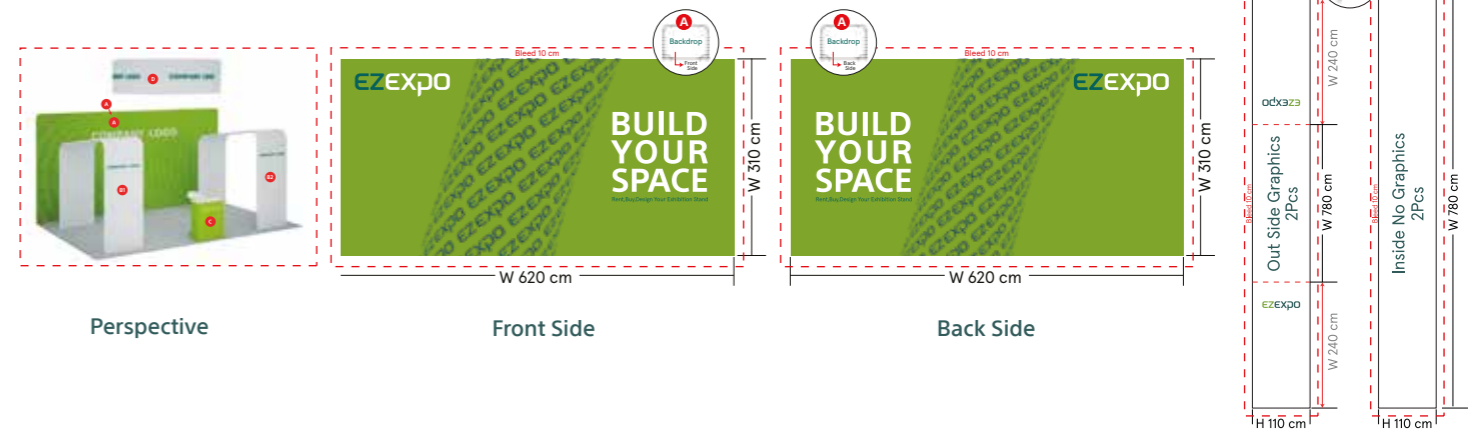
PARTS



ASSEMBLY

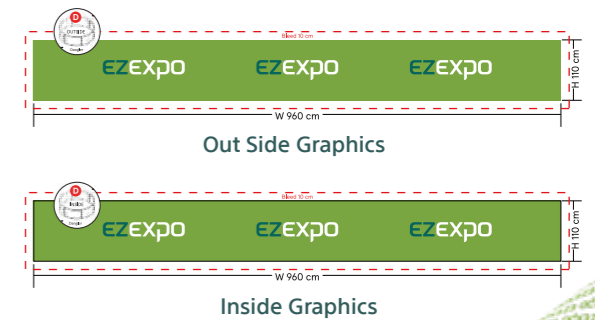
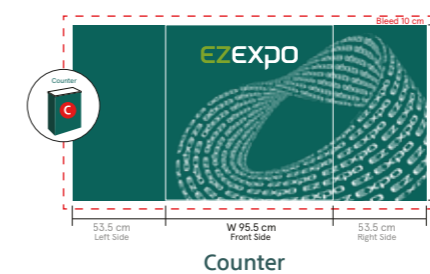


Graphics & printing Installation



Notes :

- Please Use CMYK Mode For best Color Matching. Check all scans are CMYK (not RGB)
- 70 - 100 dpi at the overall graphic layout size.
- Be aware of Safe Visible Area and keep important images and text inside this line.
- Convert all text to outlines before saving finished artwork file
- File Formats must be in: Photoshop (.psd) Illustrator (.ai) - Acrobat (.pdf) - Other (.tif, .eps)
- Counter:
 - The graphic wrap is attached to the frame with a combination of the special one piece panel strip and magnetic tape.



GATE TOWERS BOOTH | SKU:EVEXDS-300X600

7

5